

# User Manual

## X17 ECO CFS Carpet Extractor

115V/230V with High Pressure

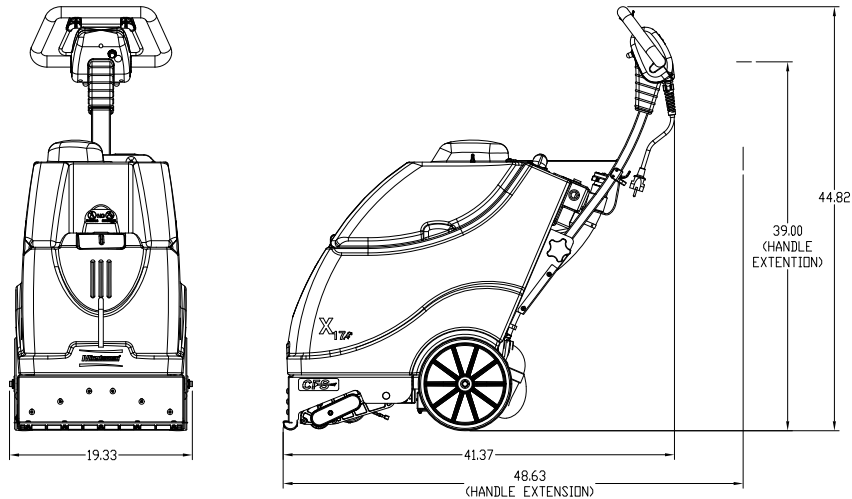


## Technical Specifications

This manual is furnished with each new **Minuteman X17 ECO CFS**. This provides the necessary operating and preventive maintenance instructions. Operators must read and understand this manual before operating or servicing this machine.

This machine was designed to give you excellent performance and efficiency. For best results and minimal cost, please follow the general guidelines below:

- Operate the machine with reasonable care.
- Follow the manufacturer's suggested maintenance instructions as provided in this booklet.
- Use original Minuteman supplied parts.



**Model: X17 ECO CFS (Chemical Free Solution) with HP (High Pressure)**

<u>Model No.</u>	<u>X17115Z / X17115HPZ</u>	<u>X17230Z/X17230HPZ</u>
Current Max.	12.5 Amps	7 Amps
Voltage	115V	230V
Vacuum motor power	1250W	1250W
Brush motor power	100W	100W
Pump motor power	50PSI / HP(100PSI)	50PSI / HP(100PSI)
Working width	17 in.; 43 cm	17 in., 43cm
Gross Weight	116 lb.; 52.6 kg	116 lb.; 52.6 kg
Solution tank	10 Gallons; 37.8 LITERS	10 Gallon; 37.8 LITERS
Recovery tank	7 Gallons; 26.5 LITERS	7 Gallon; 26.5 LITERS
Power Cord Length	50 ft.; 15.24m	50 ft.; 15.24m
Suction (sealed)	100in. of water	100in. of water
*Vibration	< 8.2 ft/s <sup>2</sup> ;	<2,5 m/s <sup>2</sup>
Noise emission		
	The sound pressure level measured under maximum conditions of use (LwA) according to DIN EN 60335-2-68	83 dB (A)
	The sound pressure level measured (at the ear of the driver) under normal conditions of use (LpA) according to DIN EN 60335-2-68	72 dB (A)
	Measurement inaccuracy (KpA)	1,8 dB (A)

\*The frequency weighted acceleration measured according to DIN EN ISO 5349 which have an effect upon the upper limbs (hand-arm-system) amounts under normal working conditions.

## Table Of Contents

<b>Technical Specifications</b> .....	<b>2</b>
<b>Table Of Contents</b> .....	<b>4</b>
<b>Safety Instructions</b> .....	<b>5</b>
<b>Unpacking Instructions</b> .....	<b>6</b>
Handle Assembly .....	7
<b>Assembly</b> .....	<b>7</b>
<b>Machine Overview</b> .....	<b>10</b>
X17 CFS Front.....	10
Vacuum Connection.....	10
X17 CFS Back & Bottom.....	11
Handle/ Control Panel.....	12
Circuit Breakers.....	13
CFS Control Box.....	13
Solution Tank In-line Filter .....	14
Vacuum Intake Filter .....	14
Solution Tank Drain Hose.....	15
Solution Level Indicator.....	15
Brush Removal .....	16
Brush Pressure Gauge .....	17
Brush Pressure Adjustment Knob.....	17
Removable Recovery Tank.....	18
Handle Adjustment.....	19
Cord Relief .....	19
Accessories .....	20
<b>Maintenance</b> .....	<b>21</b>
<b>Operating Instructions</b> .....	<b>24</b>
<b>Troubleshooting</b> .....	<b>26</b>
<b>Warranty</b> .....	<b>28</b>

**FOR COMMERCIAL USE ONLY**  
**IMPORTANT SAFETY INSTRUCTIONS**  
**READ ALL INSTRUCTIONS BEFORE USING**

When using an electrical appliance, basic precautions should always be followed, including the following:

**WARNING - To reduce the risk of fire, electric shock, or injury:**

- Do not leave appliance when plugged in. Unplug from outlet when not in use and before servicing.

**WARNING - To reduce the risk of electrical shock, do not expose to rain. Store indoors.**

- Never allow children or untrained adults to operate this equipment.
- Keep the area of operation clear of all persons, particularly small children, and pets. Keep bystanders at least 25 feet away from the area of operation.
- Use only as described in this manual. Use only manufacturer's recommended attachments.
- Do not use with damaged cord or plug. If appliance is not working as it should, has been dropped, damaged, left outdoors, or dropped into water, return it to a service center.
- Do not pull or carry by cord, use cord as a handle, close a door on cord, or pull cord around sharp edges or corners.
- Do not run appliance over cord.
- Keep cord away from heated surfaces.
- Do not unplug by pulling on cord. To unplug, grasp the plug, not the cord.
- Do not handle plug or appliance with wet hands.
- Do not put any object into openings. Do not use with any opening blocked; keep free of dust, lint, hair, and anything that may reduce air flow.
- Keep hair, loose clothing, fingers, and all parts of body away from openings and moving parts.
- Do not pick up anything that is burning or smoking, such as cigarettes, matches, or hot ashes.
- Turn off all controls before unplugging.
- Use extra care when cleaning on stairs.
- Do not use to pick up flammable or combustible liquids such as gasoline or use in areas where they may be present.
- Connect to a properly grounded outlet only. See grounding instructions.
- If foam/liquid comes out of exhaust openings turn switch off immediately.
- Use only chemicals recommended by dealer/manufacturer.
- These machines must be used only with the power supply cord provided from the manufacturer:
  - X17115Z / X17115HPZ: Power Cord #748613
  - X17230Z / X17230HPZ: Power Cord #748613CE

**SAVE THESE INSTRUCTIONS**

## Unpacking Instructions

### INSPECTION

Carefully unpack and inspect your machine for shipping damage. Each unit is tested and thoroughly inspected before shipment, and any damage is the responsibility of the delivery carrier who should be notified immediately.

### ELECTRICAL

Model Numbers X17115Z / X17115HPZ are designed to operate on a standard 15 amp, 115 volt, 60 hz, AC circuit. Voltages below 105 volts AC or above 125 volts AC could cause serious damage to the motor.

Model Numbers X17230Z / X17230HPZ are designed to operate on a standard 10 amp, 230 volt, 50 hz, AC circuit. Voltages below 210 volts AC or above 250 volts AC could cause serious damage to the motor.

### WARNING

Electric motors can cause explosions when operated near explosive materials or vapors. Do not operate this machine near flammable materials such as solvents, thinners, fuels, grain dust, etc.

### GROUNDING INSTRUCTIONS

This floor-finishing machine shall be grounded while in use to protect the operator from electric shock. The machine is provided with a three-conductor cord and a three-contact grounding type attachment plug to fit the proper grounding type receptacle. The green (or green and yellow) conductor in the cord is the grounding wire. Never connect this wire to other than the grounding pin of the attachment plug.

### DANGER

Improper connection of the equipment-grounding conductor can result in a risk of electric shock. Check with a qualified electrician or service person if you are in doubt as to whether the outlet is properly grounded. Do not modify the plug provided with the appliance — if it will not fit the outlet, have a proper outlet installed by a qualified electrician.

Model Numbers X17115Z / X17115HPZ are for use on a nominal 115-volt circuit and has a grounding plug that looks like the plug illustrated in Figure 1.

Model Numbers X17230Z / X17230HPZ are for use on a nominal 230-volt circuit and has a grounding plug that looks like the plug illustrated in Figure 2.

Make sure that the appliance is connected to an outlet having the same configuration as the plug. No adapter should be used with this appliance.

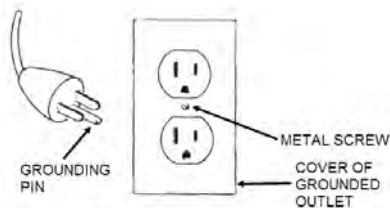


Figure 1

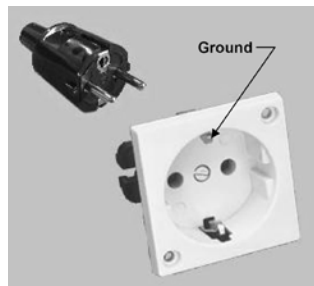
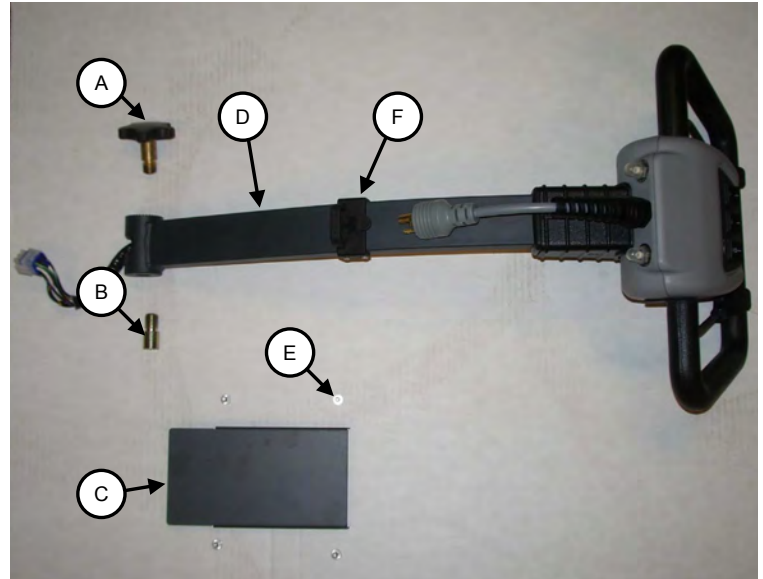


Figure 2

## Handle Assembly

The X17 CFS **Handle Assembly (D)** is not assembled on the machine when shipped. Follow the instruction on the next page to connect the handle assembly to the machine.

- A HANDLE ADJUSTMENT KNOB**
- B SHOULDER BOLT**
- C COVER**
- D HANDLE ASSEMBLY**
- E SCREW**
- F CORD RELIEF**





1. Unpack machine.



3. Insert handle assembly in between bushings. Insert the shoulder bolt through the bushing and screw into the handle assembly using supplied wrench.

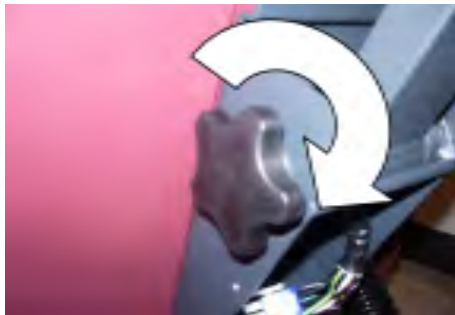


2. Use philips screwdriver to unscrew 4 screws and remove cover.



4. Align the teeth on the bushing and handle assembly before tightening the adjustment knob.





5. Spin the adjustment knob clockwise to tighten.



7. The wire harness must be aligned with the patterns on the connector to fit.



6. Attach the wire harness to the machine.



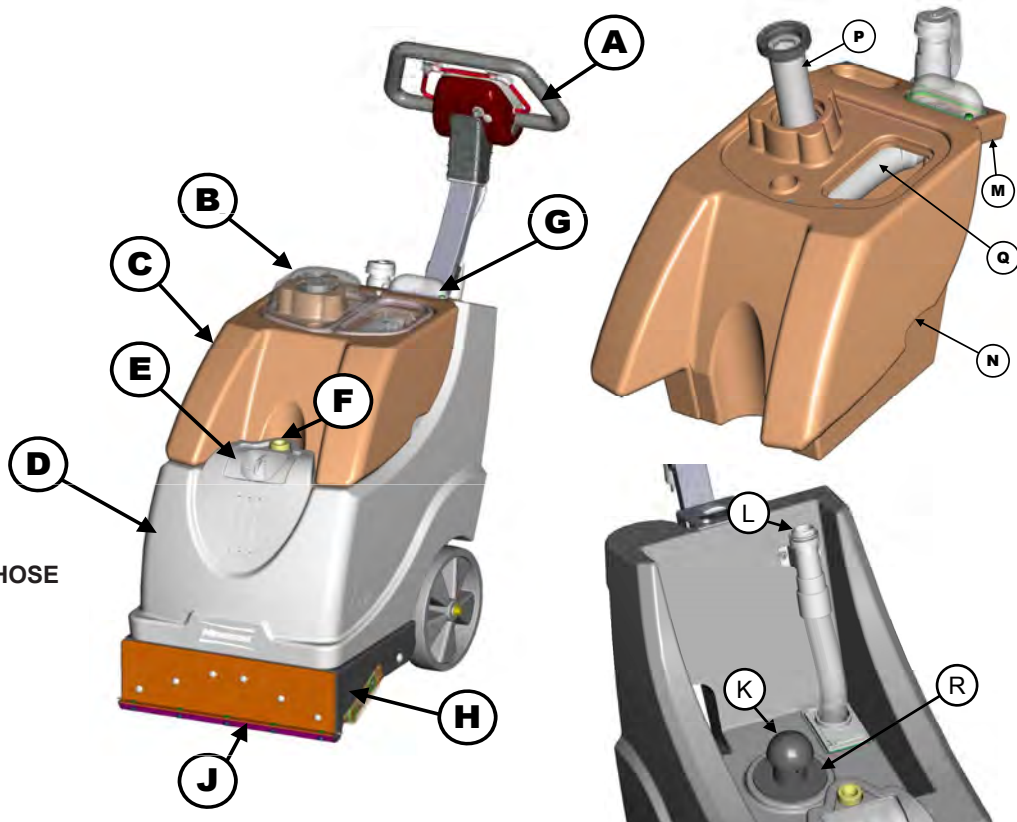
8. Screw the cover back with the 4 screws.

## X17 CFS Front

- A. HANDLE
- B. RECOVERY DOME LID
- C. RECOVERY TANK
- D. SOLUTION TANK
- E. SOLUTION TANK FILL PORT
- F. FAUCET FILL HOSE
- G. RECOVERY WINDOW
- H. BRUSH MOTOR BELT COVER
- J. VAC SHOE

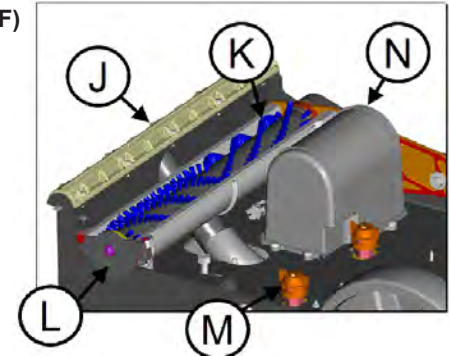
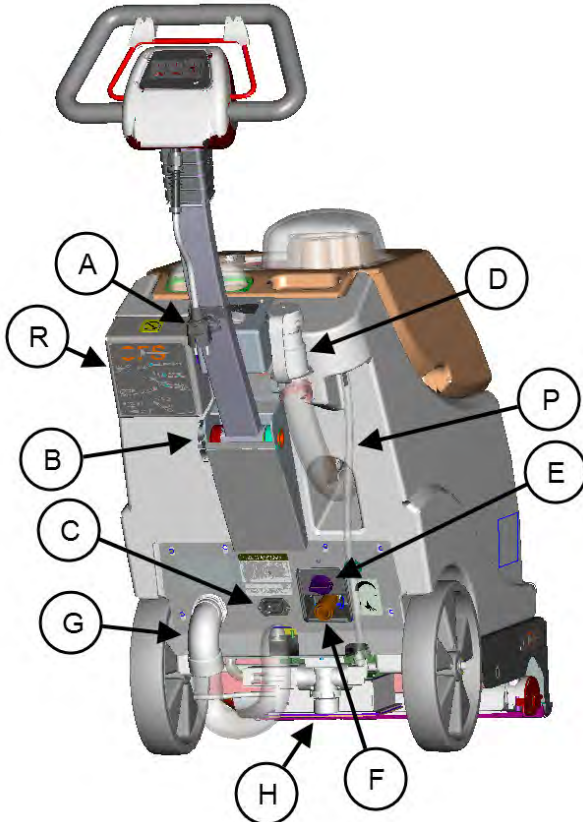
## Vacuum Connection

- K. VACUUM MOTOR INTAKE COVER
- L. VACUUM CONNECTION TUBE
- M. RECOVERY INLET
- N. RECOVERY TANK HANDLE
- P. VACUUM FLOAT SHUT-OFF
- Q. RECOVERY WINDOW EXTENSION HOSE
- R. VACUUM MOTOR GASKET



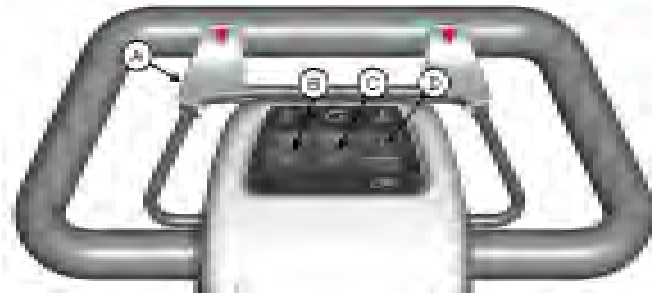
## X17 CFS Back &amp; Bottom

- A. TWIST LOCK POWER CONNECTOR
- B. HANDLE ADJUSTMENT KNOB
- C. AUXILIARY POWER OUTLET (FOR MINUTEMAN MOTORIZED TOOL ONLY)
- D. RECOVERY TANK DUMP HOSE
- E. BRUSH PRESSURE ADJUSTMENT KNOB
- F. OFF AISLE WAND WATER FEMALE QUICK-CONNECT
- G. VACUUM HOSE CONNECTION POINT
- H. IN-LINE SOLUTION FILTER
- J. VAC SHOE
- K. BRUSH
- L. BRUSH END COVER
- M. SPRAY JETS (2)
- N. BRUSH MOTOR
- P. SOLUTION TANK DRAIN HOSE
- R. CFS CONTROL BOX (ON/OFF)



## Handle/ Control Panel

- A. **MOMENTARY SPRAY SHUT-OFF**
- B. **BRUSH SWITCH**
- C. **VACUUM SWITCH**
- D. **SPRAY JET \ AUXILIARY SWITCH  
(OFF AISLE WAND)**



### (A) Momentary Handle

When handle is pushed forward the spray jets shut off.

### (B) Brush Switch

ON/OFF switch for brush.

Press switch up to **(I)** position to turn ON the brush motor.

Press switch down to **(0)** position to shut OFF brush motor.

Warning: While in Auxiliary Mode, keep the Brush Switch in the off **(0)** position, or damage may occur to carpet.

### (C) Vacuum Switch

ON/OFF switch for vacuum.

Press switch up to **(I)** position to turn ON vacuum.

Press switch down to **(0)** position to shut OFF vacuum.

### (D) Spray Jet / Auxiliary Switch (Off Aisle Wand)

3-Position switch for spray jet and auxiliary mode function.

**(0)** position is a neutral OFF position; In the **(0)** position the Spray Jet and Auxiliary Mode are OFF.

Press switch up to **(I)** position to turn ON the spray jets.

Press switch down to **(II)** position to turn ON Auxiliary Mode (Off Aisle Wand - OAW). This will power the auxiliary outlet and turn the water pump on for the auxiliary connection.

See page 20 for OAW connection details.

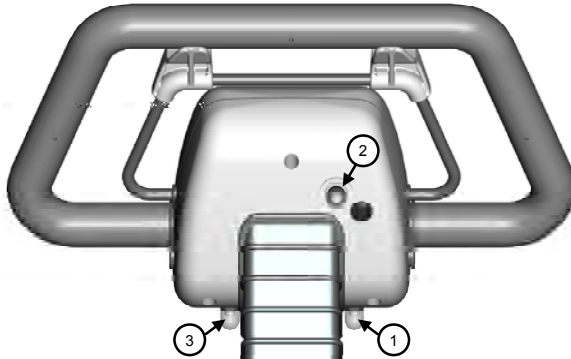
Warning: When in Auxiliary Mode, confirm Brush Switch is in the OFF position or damage to carpet may occur.

## Circuit Breakers

The circuit breakers are located on bottom and rear of the handle assembly.

1. BRUSH MOTOR BREAKER - (X17115) 1.5 amp  
(X17230) 1.0 amp
2. VACUUM PUMP BREAKER - (X17115) 12 amp  
(X17230) 7.5 amp
3. SPRAY JET PUMP/AUX POWER & PUMP BREAKER -  
(X17115) 1.5 amp  
(X17230) 1.0 amp

If any of the functions above are not operating, check if the circuit breaker buttons have tripped. Press to reset.

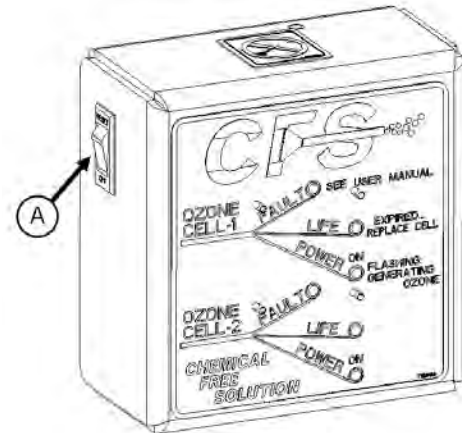


## CFS Control Box

The CFS Control Box is located on the back of the machine to the left side of the handle assembly.

### A. ON/OFF (RESET) SWITCH FOR CFS

The ON/OFF (RESET) Switch for the CFS controls the power ON and power OFF. This switch is also used to reset the CFS function of the X17 CFS machine.



### Solution Tank In-line Filter

The **In-line Filter** protects the water pump from large debris. This filter should be cleaned regularly.

Steps to cleaning Solution Tank In-line Filter (See Figure 1):

1. Close the **Shut-off Valve (C)** by turning the handle 90° clockwise. When handle is perpendicular to water line the valve is closed.
2. Next, twist the **Filter Cap (A)** counterclockwise.
3. Remove cap and **Filter (B)**, clean with water.
4. Place filter back into cap, turn cap clockwise onto filter body, tighten by hand. **Note: Using tools to tighten may damage plastic threads.**
5. Open the **Shut-off Valve (C)** by turning the handle 90° counterclockwise.

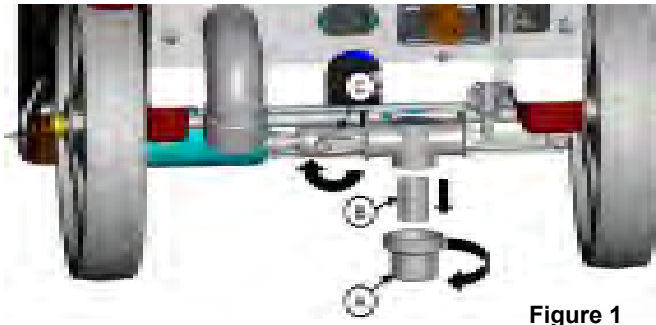


Figure 1

### Vacuum Intake Filter

The **Vacuum Intake Filter** protects the intake vacuum from large debris. This filter should be cleaned regularly.

Steps to cleaning Vacuum Intake Filter:

1. Unplug machine from power source outlet.
2. Drain Solution and Recovery tanks.
3. Filter is located above CFS Power Supply Box on the underside of the machine. Tilt machine forward on the vacuum shoe until the filter is visible. (See Figure 2)
4. Once the filter is visible and the machine is supported in a stabilize position - remove the filter. (See Figure 3)
5. Rinse and clean filter with water. Allow filter to air dry.
6. Insert filter back into original location.



Figure 2



Figure 3

## Solution Tank Drain Hose

The solution tank may be drained by removing the **Solution Tank Drain Hose (A)** from the **Hose Barb (B)** and routing the hose to a floor drain. (See Figure 4)

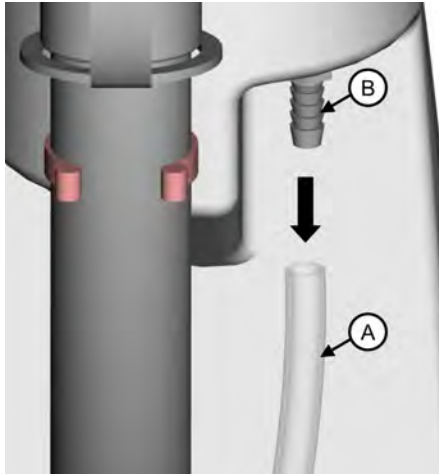


Figure 4

## Solution Level Indicator

The solution Tank Drain Hose also serves as a water level indicator for the solution tank. The amount of water remaining in the solution tank can be seen through the clear drain hose. (See Figure 5)

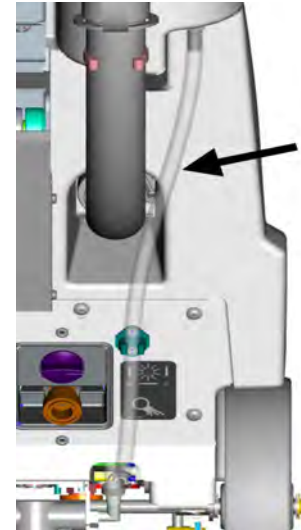


Figure 5



### Brush Removal

1. Use a 4mm or 5/32 Hex Tool to remove the flat-head screw on the underside of the right side of the brush housing.
2. Pry open the brush housing door and swing door out. (See Figure 1)
3. Pull brush straight out to the side.

To re-install:

1. Confirm the bristle pattern is in the correct direction.
  - a. When brush is inserted, visually inspect the bristle pattern from underneath the machine, bristle chevron pattern will point to back of the machine. (See Figure 2)
  - b. If bristle chevron pattern is not pointing towards the back of the machine, remove brush and insert opposite brush end in first.
3. To engage the drive hub on the left side with the brush socket, twist the brush until the drive hub lock in place with the brush.
4. Close the brush housing door. The bearing in the door will insert itself into the end of the brush.
5. While holding the housing door closed, re-install flat-head screw from the underside of the housing.

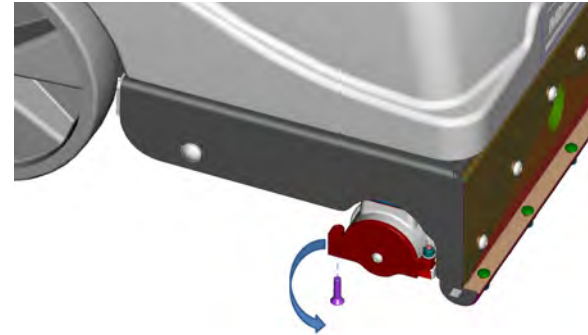


Figure 1

BRUSH – CORRECT BRISTLE PATTERN DIRECTION  
VIEW FROM BOTTOM OF THE MACHINE

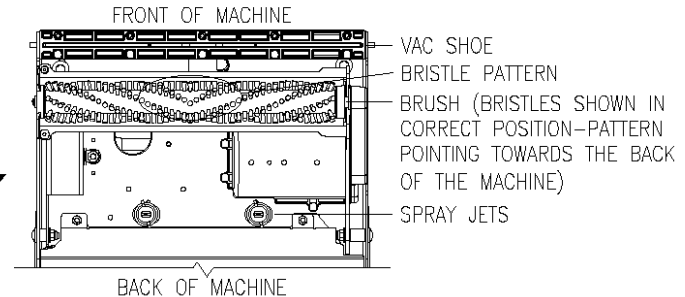


Figure 2



## Brush Pressure Gauge

The brush pressure gauge informs the operator if the brush pressure setting is in optimum range. (See Figure 3) The machine operates best in the green range. If the machine reaches the yellow or red range, the brush pressure can be lowered by using the Brush Pressure Adjustment Knob. See Brush Pressure Adjustment Knob for brush pressure adjustments.



Figure 3

## Brush Pressure Adjustment Knob

The Brush Pressure Adjustment Knob allows the operator to decrease or increase the brush pressure. The adjustment knob (item A, Figure 4) is located on the lower right side of the back panel of the machine.

To **DECREASE** brush pressure: Turn the adjustment knob **CLOCKWISE** (in the '-' direction) until the desired pressure range is achieved.

To **INCREASE** brush pressure: Turn the adjustment knob **COUNTER-CLOCKWISE** (in the '+' direction) until the desired pressure range is achieved.



Figure 4

### Removable Recovery Tank

To remove tank:

1. Unclip dump hose from solution tank.
2. Pull recovery tank straight up.

To replace tank:

1. Feed dump hose through opening in solution tank
2. Lower tank into place. Recovery vacuum inlet will rest on vacuum connection tube (See pg 10, items L & M)
3. Clip dump hose to solution tank.



## Handle Adjustment

The X17 handle was designed with operator comfort in mind. The angle position of the handle can be adjusted to suit the needs of the operator.

## Angle Adjustment

The handle can be adjusted without tools by loosening the **Handle Adjustment Knob (A)** and rotating the handle to the desired position.



## Cord Relief

Use cord relief to prevent cables from disconnecting.

## Using the Cord Relief

1. Loop the cord as shown in Figure 1.
2. Lock the cord in place by threading the cable through the relief, then pull the cable down so it locks into place as shown in figure 2.



Figure 1



Figure 2

### Accessories

- X17115, use C46300-00 - Motorized Tool
  - X17230, use C46300-02 - Motorized Tool
- Only these tools may plug into the **Auxiliary Power** (Fig. 1/B).



- The Vacuum Hose (Ref. Item G, pg 11) must be first disconnected from the machine back panel. Connect the Suction Hose (Fig. 2/D) tool to the Vacuum Inlet (Fig. 1/A).
- Connect the accessory Power Cord (Fig. 2/E) to the Auxiliary Power (Fig. 1/B).
- A Coupler-Quick Connect (Fig. 2/G) (p/n: 450295) is required to connect the tool Solution Hose (Fig. 2/F) to the quick-connect Solution Coupling (Fig. 1/C).
- To turn ON the tool, the auxiliary switch in the machine handle must be in the (II) position as shown on pg 12, (Item D). The vacuum switch must also be turned on when using the motorized tool.



**Caution!** Brush motor must be turned OFF when using auxiliary function. If the brush motor is ON, damage to carpet may occur.

- 390070 - Upholstery Tool (Requires Hose Assembly)
- 831255 - Scrub/Vacuum Wand (Requires Hose Assembly)
- 828924 or 830750 - Hose assemblies for non-motorized tools.  
Does not require QC coupler (Item G)
- 831019 - Pump-Out Hose
- 17603 - Vac Out Hose

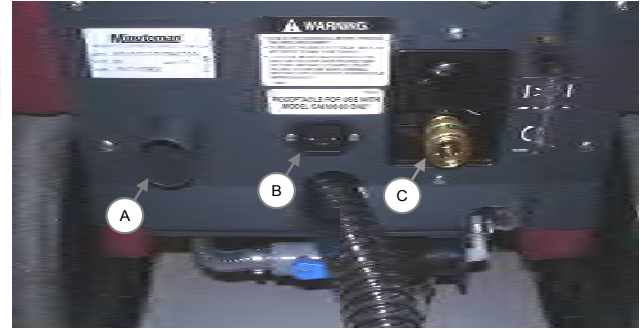


Figure 1

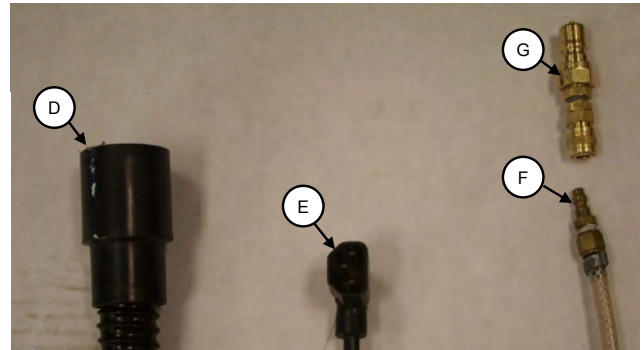


Figure 2

## User Maintenance Instructions

All service and repairs should be performed by a qualified service representative or electrician. No user serviceable components are employed in the electrical assembly. No lubrication of the motor is required.

BEFORE CLEANING OR MAINTAINING THE MACHINE, UNPLUG THE ELECTRICAL CORD.

Protect equipment from freezing. Severe pumping system damage can occur if allowed to freeze.

### Daily Maintenance

1. Solution tank should be emptied after each use. Flush solution pump system with 1 gallon of clean, hot water. Operate for 30 seconds through the spray jets, then drain the remaining water with the solution level/drain hose. (Both require flushing for best performance)
2. Removable recovery tank should be rinsed clean and drained using dump hose. Tank does not need to be removed. Wipe off any debris from O-ring under dump hose cap.
3. Dome lid should be cleaned. Pull or rinse off any debris from the attached Filter. Place lid upside-down when storing machine, for ventilation to prevent odor build-up.
4. Vacuum shoe should be cleaned of any debris.
5. Brush should be cleaned of any carpet string or debris.
6. Vac Float Shut-off (pg 10, Item P) should be pulled out, inspected, cleaned if necessary.
7. Solution In-Line Filter (pg 14) should be inspected and cleaned if necessary.
8. Wheels should be cleaned of hard debris which may damage finished hard-surface floors.
9. Electrical Cord should be inspected for any damage.
10. Vacuum Hose should be inspected for tight fit at the rear of the machine, and to the bottom of the Vac Connection Tube.

### Bi-Monthly/Monthly/Yearly Maintenance

#### Every Two Weeks:

1. Purge solution system to remove residue build-up by flushing as follows:
  - a. Use - 1 quart White Vinegar to two gallons clean hot water - in the solution tank, operate solution pump with spray jets installed for two full minutes.
  - b. Drain the remaining solution with the solution level/drain hose (this is important to help keep the hose clear).
  - c. Use 2 gallons clean hot water (no vinegar) in the solution tank, operate solution pump with spray jets installed for two full minutes. Drain the remaining water with the solution level/drain hose.
  - d. It is Important to repeat the 2 gallon rinse (step C) as vinegar may affect coloring in carpet.
  - e. Repeat procedure if machine has not been flushed daily.
2. Remove Brush (pg 16), clean any debris off brush hubs at both ends.
3. Wipe off any debris from bottom side of chassis.
4. Rinse off the Dome Lid Filter.

#### Monthly:

1. Check Spray Jets for full width spray pattern. Remove (twist orange cap ¼ turn counter-clockwise) and clean with soft-bristle brush if necessary. Do not use pins or wire, which can damage the spray tip.
2. Clean the Recovery Window (pg 10, item G) by removing (2 screws) and wiping out with a soft cloth, use hot water and white vinegar or gentle detergent. Take care not to damage the gasket. Inspect gasket for cracks/damage.
3. Flush out Recovery Window Extension Hose (pg 10, item Q) while Recovery Window is removed by pouring water/vinegar solution through the hose. Rinse with clear water.
4. Clean off any debris from the Vac Connection Tube & Recovery Inlet (pg 10, items L & M).
5. Clean & Inspect Vacuum Motor Gasket (pg 10, item R) for damage, and ensure Vac Motor Cover (pg 10, item K) is in place.
6. Inspect Brush Motor Belt for wear (pg 10, item H). Replace if necessary.

#### Yearly:

1. Have a qualified service technician check the vacuum motor carbon motor brushes once a year or after every 500 operating hours.

## Cord Storage

The X17 CFS is supplied with a detachable cord for ease of storage.

- Regularly inspect cord for signs of damage. If cord is damaged replace immediately.
- Do not use with damaged cord or plug. If appliance is not working as it should, has been dropped, damaged, left outdoors, or dropped into water, return to service center.
- Do not pull or carry by cord, use cord as handle, close a door on cord, or pull cord around sharp edges or corners.
- Do not run appliance over cord. Keep cord away from heated surfaces.
- Do not unplug by pulling cord. To unplug, grasp the plug, not the cord.
- Do not handle plug or appliance with wet hands.
- This equipment should be stored indoors and not exposed to rain.

## Operating Instructions

### Filling the X17 CFS

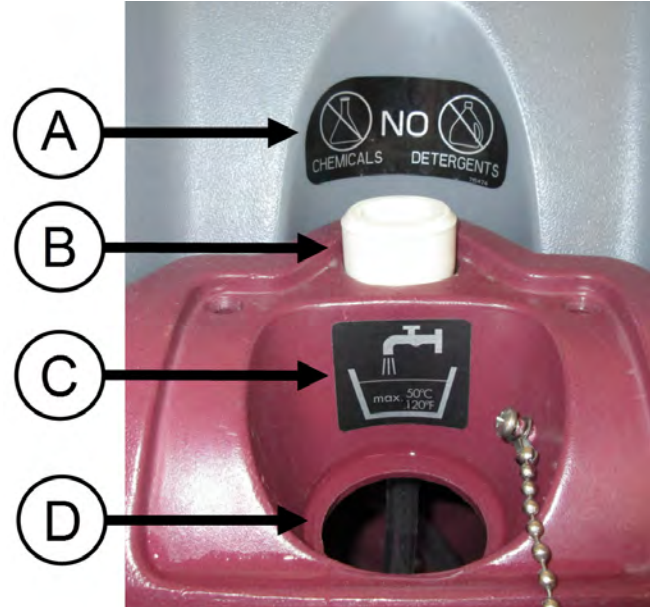
1. Remove clear solution cover lid from front of machine, or use the supplied faucet fill hose (B), by pulling hose out and holding rubber inlet against faucet.
2. Fill solution tank with desired amount of warm water.
  - MAX water temperature is 120°F / 50°C (Ref. C). See Decal 17262197 below.
  - DO NOT add Chemicals or Detergents; WATER ONLY when filling the X17 CFS solution tank (Ref. A). See Decal 715474 below. Adding chemicals or detergents will prematurely reduce the life of the CFS system.



**Decal  
715474**



**Decal  
17262197**



**Figure 1**



## Preparing the Carpet for Cleaning:

Carpet should be thoroughly vacuumed and obstacles relocated before beginning the cleaning cycle. Heavy traffic lane areas should be pre-treated or spotted with Minuteman Pre-Treat order #902183 for best results.

## To Begin Cleaning:

1. Always work away from the cord.
2. Machine operates by pulling backwards over carpet.
3. The recovery dome lid (pg 10, item B) should be properly seated on Recovery Tank (item C) for proper vacuum recovery.
4. Control Panel Switch Identifications:  
Normal Cleaning Mode
  1. Turn on vacuum switch (Fig 1/C).
  2. Turn on brush switch (Fig 1/B).
  3. Turn on the solution pump (Fig 1/D) to position 'I'.
  4. Adjust brush pressure at rear of machine, until brush pressure gauge reads in green zone.
  5. Solution pump should be turned off by either using the momentary bail (Fig 1/A), or flip the switch (Fig 1/D) spray jet to the center position 'O'; 6" before the end of each cleaning pass.

During the cleaning cycle, care should be taken not to allow foam to build up in the recovery tank. If this should happen, the machine should be turned off. Defoamer order #910543

should be added to the recovery tank only, never into the solution tank. Foam should not be seen inside the right side of the dome lid.

The recovery water level can be viewed from the operator's position of the machine through the left side of the visible recovery dome. The X17 CFS has a float ball shut off located in the recovery tank that cuts off suction to the vacuum hose. When the recovery tank is full, the vacuum motor will become noticeably louder and the machine will not pick up water. Recovery tank must be emptied. (NOTE : Never tilt machine completely back with recovery tank in place. Always remove tank and set to the side before tilting complete machine.) To empty the recovery tank use the recovery tank dump hose (pg 11, item D). Unclip the hose from the tank and turn the cap a quarter turn counter-clockwise and dump waste water into a floor drain or utility sink.



Figure 1

## Troubleshooting Guide

**Caution! Unplug power cord before servicing machine component.**

Problem	Possible Cause	Remedy
Machine does not function	Power cord may be disconnected at the twist lock or wall outlet.	Check connections and reconnect if necessary.
	Wall outlet breaker may have tripped.	Reset breaker.
No water dispensed from spray jets	Circuit breaker in handle tripped.	Reset breaker.
	Solution tank in-line filter valve may be closed.	Open valve.
	Sprayjet Switch is in OFF (O) or AUX (II) position.	Flip sprayjet switch to ON (I) position.
	No water in solution tank.	Fill solution tank.
Spray intermittent or streaked	Solution hoses may be clogged or kinked.	Check hose for clogs, remove any debris if found. Replace kinked hose if found.
	Solution tank in-line filter valve may be clogged.	Clean strainer thoroughly.
	The spray jets may be clogged.	Remove the spray tips and clean as required. Do not clean out the hole in the jet with a pin or wire. This may cause permanent damage.

Brush does not turn ON	Circuit breaker in handle tripped.	Reset breaker.
	Belt is damaged.	Replace belt.
	Debris is lodged in the brush housing.	Remove debris.
	Switch is in OFF (O) position.	Flip switch to ON (I) position.
Solution recovery is reduced	Dome lid filter of vac float shut off may be clogged.	Rinse out items.
	Recovery dome lid is not seated properly.	Reposition dome lid.
	Recovery tank is not seated properly over intake tube.	Reposition recovery tank so the intake tube is inserted into the inlet.
	Recovery tank dump hose may not be closed properly.	Disconnect cap from drain hose then reconnect, to ensure the cap and hose snap together.
	Bad seals on recovery dome lid.	Check the gasket on the lid for damage. Replace if needed.
	Vac shoe may be clogged.	Check vac shoe for debris and remove if necessary.
	Vac shoe may be worn.	Replace vac shoe.
Vacuum motor does not start.	Circuit breaker in handle may have tripped.	Reset breaker.
	Motor carbon brush may be worn.	Contact a qualified service technician.
	Switch is in OFF (O) position.	Flip switch to ON (I) position.

## Warranty

### Minuteman International Made Simple Commercial Limited Warranty

#### REVISION L EFFECTIVE 4/1/2014

Minuteman International, Inc. warrants to the original purchaser/user that the product is free from defects in workmanship and materials under normal use. Minuteman will, at its option, repair or replace without charge, parts that fail under normal use and service when operated and maintained in accordance with the applicable operation and instruction manuals. All warranty claims must be submitted through and approved by factory authorized repair stations.

This warranty does not apply to normal wear, or to items whose life is dependent on their use and care, such as belts, cords, switches, hoses, rubber parts, electrical motor components or adjustments. Parts manufactured by Minuteman are covered by and subject to the warranties and/or guarantees of their manufacturers. Please contact Minuteman for procedures in warranty claims against these manufacturers.

**Special warning to purchaser** -- Use of replacement filters and/or pre-filters not manufactured by Minuteman or its designated licensees, will void all warranties expressed or implied. A potential health hazard exists without original equipment replacement.

All warranted items become the sole property of Minuteman or its original manufacturer, whichever the case may be.

Minuteman disclaims any implied warranty, including the warranty of merchantability and the warranty of fitness for a particular purpose. Minuteman assumes no responsibility for any special, incidental or consequential damages.

This limited warranty is applicable only in the U.S.A. and Canada, and is extended only to the original user/purchaser of this product. Customers outside the U.S.A. and Canada should contact their local distributor for export warranty policies. Minuteman is not responsible for costs or repairs performed by persons other than those specifically authorized by Minuteman. This warranty does not apply to damage from transportation, alterations by unauthorized persons, misuse or abuse of the equipment, use of non-compatible chemicals, or damage to property, or loss of income due to malfunctions of the product.

If a difficulty develops with this machine, you should contact the dealer from whom it was purchased.

This warranty gives you specific legal rights, and you may have other rights which vary from state to state. Some states do not allow the exclusion or limitation of special, incidental or consequential damages, or limitations on how long an implied warranty lasts, so the above exclusions and limitations may not apply to you.

Warranty

Model	Parts	Labor	Poly	Travel
Cord Electric Group	3yrs	2yrs	0	90

Not to exceed two hours

**Exceptions.....**

Model	Parts	Labor	Poly	Travel
Port A Scrub, all models	1yr	6months	10yrs	0
Rapid Air Blower	1yr	1yr	10yrs	0
Phenom Dual Motor Upright Vacuums	1yr	1yr	0	0
Explosion Proof Vacuum	1yr	1yr	0	0
CBox, HBox & TRS 14	1yr	1yr	10yrs	0
E17 & E20 Electric Scrubbers	3yr	2yr	10yrs	0

Description	Parts	Labor	Poly	Travel
Battery Operated Group	3yrs	2yrs	10	90 days
Sweepers	1yr	1yr	0	90 days
Internal Combustion Group	1yr	1yr	0	90 days

Not to exceed two hours

<b>Battery Chargers:</b>	One year replacement
<b>Replacement Parts:</b>	Ninety days
<b>Batteries:</b>	0-3 months full replacement, 4-12 months pro-rate
<b>Polypropylene Plastic Tanks:</b>	10yr warranty, no additional labor

***Minuteman***<sup>®</sup>



# ***Excellence Meets Clean***

Minuteman International, Inc. · 14N845 U.S. Route 20 · Pingree Grove, Illinois 60140 USA

Phone 800-323-9420

[www.minutemanintl.com](http://www.minutemanintl.com)

***A Member of the Hako Group***

988751UM

Rev \* 04/15